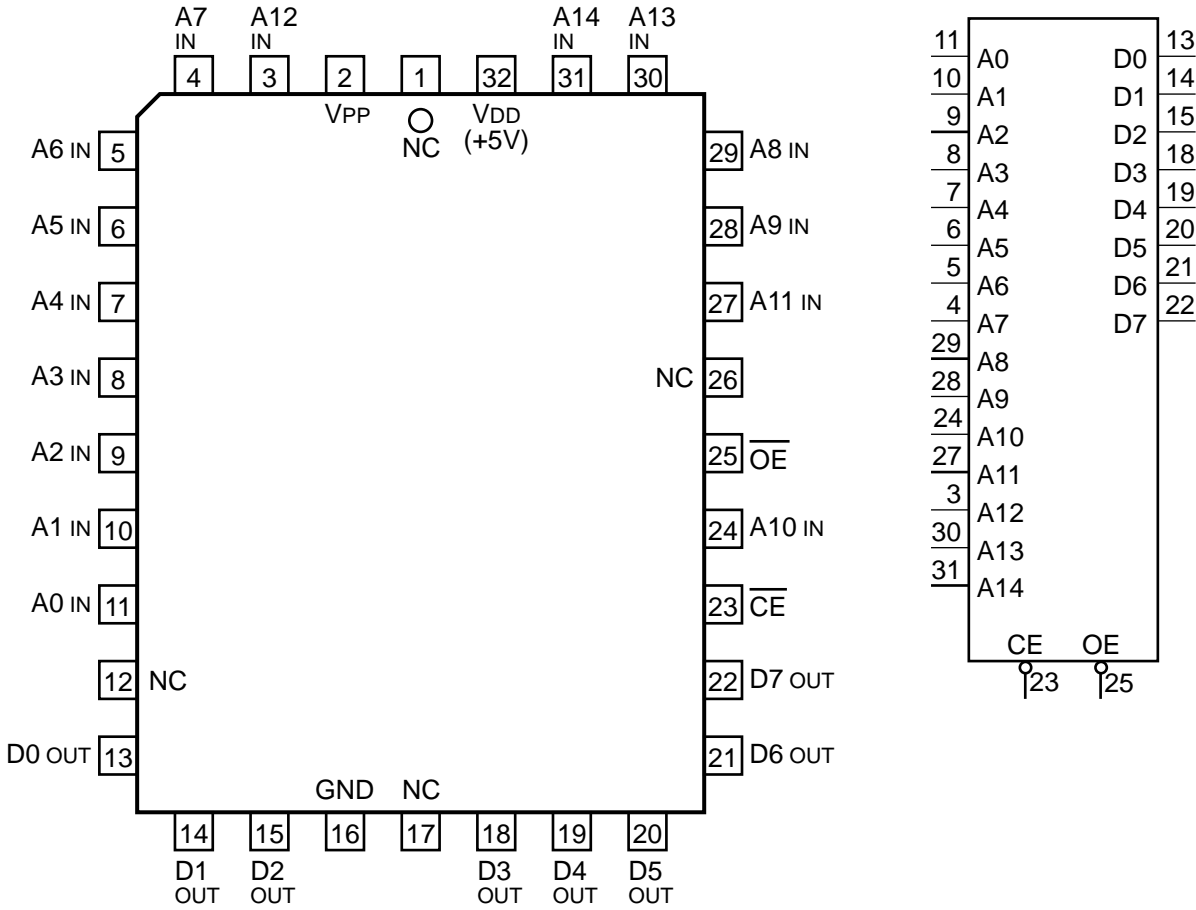

C-MOS 256k (32k x 8)-BIT EPROM
 -TOP VIEW-



- A0-A14 ; ADDRESS INPUT
- \overline{CE} ; CHIP ENABLE INPUT
- D0 - D7 ; DATA OUTPUT
- \overline{OE} ; OUTPUT ENABLE INPUT
- VPP ; PROGRAM POWER SUPPLY

MODES	\overline{CE}	\overline{OE}	VPP	A9	D0 - D7
Read	0	0	+5V	x	Dout
Program	0	1	+13V	x	Din
Program Verify	1	0	+13V	x	Dout
Program Inhibit	1	1	+13V	x	HI-Z
Standby	1	x	+5V	x	HI-Z
Output Disable	0	1	+5V	x	HI-Z
Identity	0	0	+5V	+13V	Identity Code

- 0 ; LOW LEVEL
- 1 ; HIGH LEVEL
- X ; DON'T CARE
- HI-Z ; HIGH IMPEDANCE

